



UR15

Technical specification

UR15. Sharp. Compact. Outsized performance at arm's reach.

The UR15 is the most lightweight member of the UR Series surpassing the expectations for the most sought-after size representing a sweet spot within the collaborative robot market offering speed and dependability that easily fits in a variety of environments.

Updated May 2025.
 Copyright © 2026 by Universal Robots A/S. All rights reserved.

Features

IP Classification	IP65
Cleanroom classification	Class 4 at ≤ 80%
ISO 14644-1	Class 4 at ≤ 80%
<i>*Velocity and payload</i>	
Noise	< 67 dB(A)
Status identification	Light ring at robot base
Arm mounting	Any orientation
I/O Ports at tool flange	
Digital In	2
Digital Out	2
Analog In	2 or 1 x RS485
Power supply voltage	12/24 V
Power supply	2 A (Dual pin), 1 A (Single pin)

Physical

Footprint	Ø204 mm
Materials	Aluminum, plastic, steel
Tool flange	EN ISO 9409-1-50-4-M6
Connector type	M8 8-pin female
Cable length (robot arm)	6 m (236 in)
Weight without cable	40.7 kg (89.73 lbs)
Humidity	≤ 90% RH (non-condensing)

Contact

Universal Robots A/S
 Energivej 51
 5260 Odense
 Denmark
 +45 89 93 89 89
sales@universal-robots.com
universal-robots.com

3-Position Enabling Teach Pendant

Features

IP classification	IP54
Humidity	≤ 90% RH (non-condensing)
Display resolution	1280 x 800 pixels

Physical

Materials	Plastic
Teach pendant size (W x H x D)	300 mm x 231 mm x 50 mm (11.8 in x 9.1 in x 1.97 in)
Weight	1.8 kg (3.968 lbs) including 1 m of teach pendant cable
Cable length	4.5 m (177.17 in)

Control Box

Features

IP classification	IP44
Humidity	≤ 90% RH (non-condensing)
I/O Ports	
Digital In	16
Digital Out	16
Analog In	2
Analog Out	2
Quadrature digital inputs	4
I/O Power Supply	24V, 2A

Industrial protocols

Modbus TCP (Client/Server)
 Ethernet/IP Adapter
 PROFINET device, PROFINET safe
 ROS/ROS2

Hardware interfaces

Ethernet 1 Gb/s
 USB 2.0 USB 3.0
 Mini DisplayPort
 Injection Moulding Machine Interface (SPI AN-146 & Euromap-67)*

Power Source

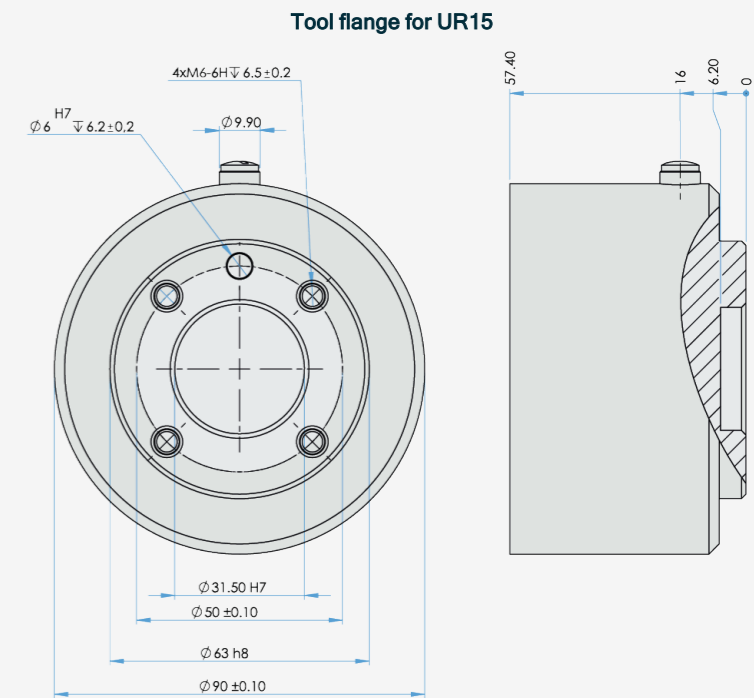
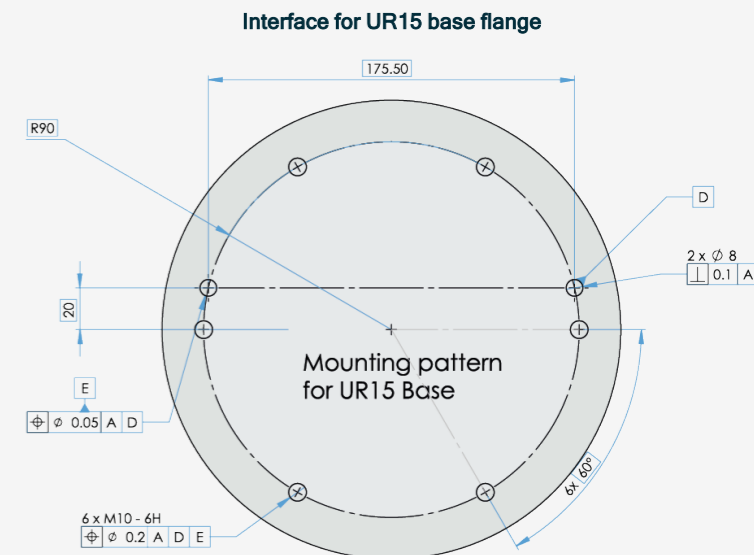
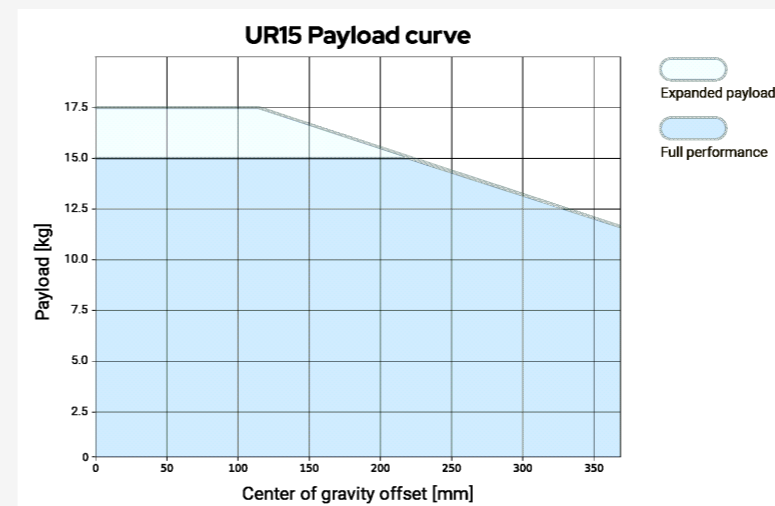
100-240VAC, 47-440 Hz

**Only valid for OEM version.*

Physical

Control Box Size (W x H x D)	460 mm x 449 mm x 254 mm (18.2 in x 17.6 in x 10 in)
Weight	12 kg (26.5 lbs)
Materials	Powder coated steel

The control box is also available in an OEM version.



Dimensions and reach of UR15

